



Specification for Approval

Customer : _____

Part Name : **LED DRIVER**

Description : **7.5 - 15 Volts / 1Amps**

Model No. : **LD15-15CCLT (RoHS)**

Customer P / N : _____

Product P / N : _____

Issued Date : **23-Apr.-2009**

Version : **1.0**

Issued Stamp :

Customer's Approval Signature

ADAPTER TECHNOLOGY CO.,LTD.

Office (Taiwan) : 6F-9, No.258, Lian - Cheng Rd., Chung Ho City, Taipei Hsien, Taiwan, R.O.C.(235)

TEL : +886-2-8226-2279

FAX : +886-2-8226-2238

E-mail : [service@ adaptech.com.tw](mailto:service@adaptech.com.tw)

Factory (China) : BOAYANG ELECTRONICS CO., LTD.

Di Feng Gong Ye Qu 2 Hao, Xiasha Liuwu Village, Shipai Town, Dong Guan City

TEL : +86-769-8186-0990

FAX : +86-769-8186-4458



<p style="text-align: center;">15W Switching Power Adapter SPECIFICATION</p>
--

Model No. : **LD15-15CCLT (RoHS)**

Description : **7.5 – 15 Volts / 1Amps**

Part No. :

Version : **1.0**

Date : **23-Apr.-2009**

Approved	Checked	Prepared



■ Approval Documents/Spec. Revised Records

- Customer :
- Model No. : LD15-15CCLT
- Original Documents Content : Spec. 7 Pages

Revised Records : No.	Date (mm/dd/yyyy)	Description (Before / After)	Page(s) Revised	Revised By (Adapter/Customer)	Remark
1	04/23/2009	ISSUE		Jarvis	1.0



1. Feature :

- ◆ **Input** : 90 ~ 132 Vac / 60 Hz Input, without any slide switch.
- ◆ **Output** : +7.5 ~ 15 V / 1A
- ◆ **Case Dimension** : 103 (L) * 50 (W) * 27 (H) mm
- ◆ **Efficiency** : 85% Typical
- ◆ **Safety** : UL1310 Class B
- ◆ **Water Proff** : IP66
- ◆ **EMI** : FCC Class B Conduction & Radiation
- ◆ **Protection** : OVP (Over Voltage Protection) 、 OCP (Over Current Protection) 、 SCP (Short Circuit Protection)
- ◆ **High frequency design** , less power consumption.
- ◆ **Can be used at LED as driver.**

2. Input :

2.1 Voltage	90~132Vac, single phase
2.2 Frequency	60 Hz
2.3 Current	0.25A Max.
2.4 Power Factor	≥ 0.85
2.5 Inrush Current	10A Max. / 100Vac (Cold Start At 25 °C , Full Load)
2.6 Efficiency	85 % Typical (At Nominal Line Voltage , Full load)

3. Output :

3.1 DC Output	Constant Voltage	+15V
	Forward Voltage	+7.5V ~ +15V
	Constant Current	1A.
	Ripple & Noise	200 mV Max.
	Total Power	15W Max.

Remark : For ripple & noise measurement, use a 20MHz bandwidth frequency oscilloscope, and add a 0.1 μ F multilayer Cap. and a Low ESR Electrolytic Cap. (10 μ F) at output connector terminals. (At nominal line voltage, Full Load)



4. Protection :

4.1 Over Voltage Protection (OVP)	V out *(110%~150%)
4.2 Over Current Protection (OCP)	1A ± 5%
4.3 Short Circuit Protection (SCP)	Automatic recovery after short-circuit fault being removed

Remark : When Short Circuit Protection is activated, the power supply will shutdown automatically.

Once the abnormal condition resulting in the failure being removed, the power supply will restart accordingly. When Over Voltage Protection is activated, the power supply will shutdown.

5. Safety 、EMI and EMC Requirement :

5.1 Safety Requirement

- a. Safety : UL 1310 Class B
- b. Water Proff : IP66
- c. Dielectric Strength : 10mA Max. Cut off current

Primary to Secondary	3000Vac for 1 Minute
----------------------	----------------------

- d. Insulation Resistance :

Primary to Secondary	10 M OHMS for 500Vdc
----------------------	----------------------

- 5.2 EMI Requirement : FCC Class B Conduction & Radiation.

- 5.3 Leakage Current : Less than 0.25mA

6. Operation and Environment Performance :

6.1 Temperature Range

Operating	+ 0°C ~ + 40°C
Storage	- 20 °C ~ + 60 °C

6.2 Humidity Range(Non-condensing)

Operating	20% ~ 80% RH
Storage	10% ~ 90% RH

- 6.3 Cooling : By natural air.

7. M.T.B.F. : 50,000 Hrs.(At 25°C , By MIL-HDBK-217F)



8. Mechanical :

8.1 Weight : 128 g Typical

8.2 Input : UL1015 18AWG

Output : UL1007 20AWG

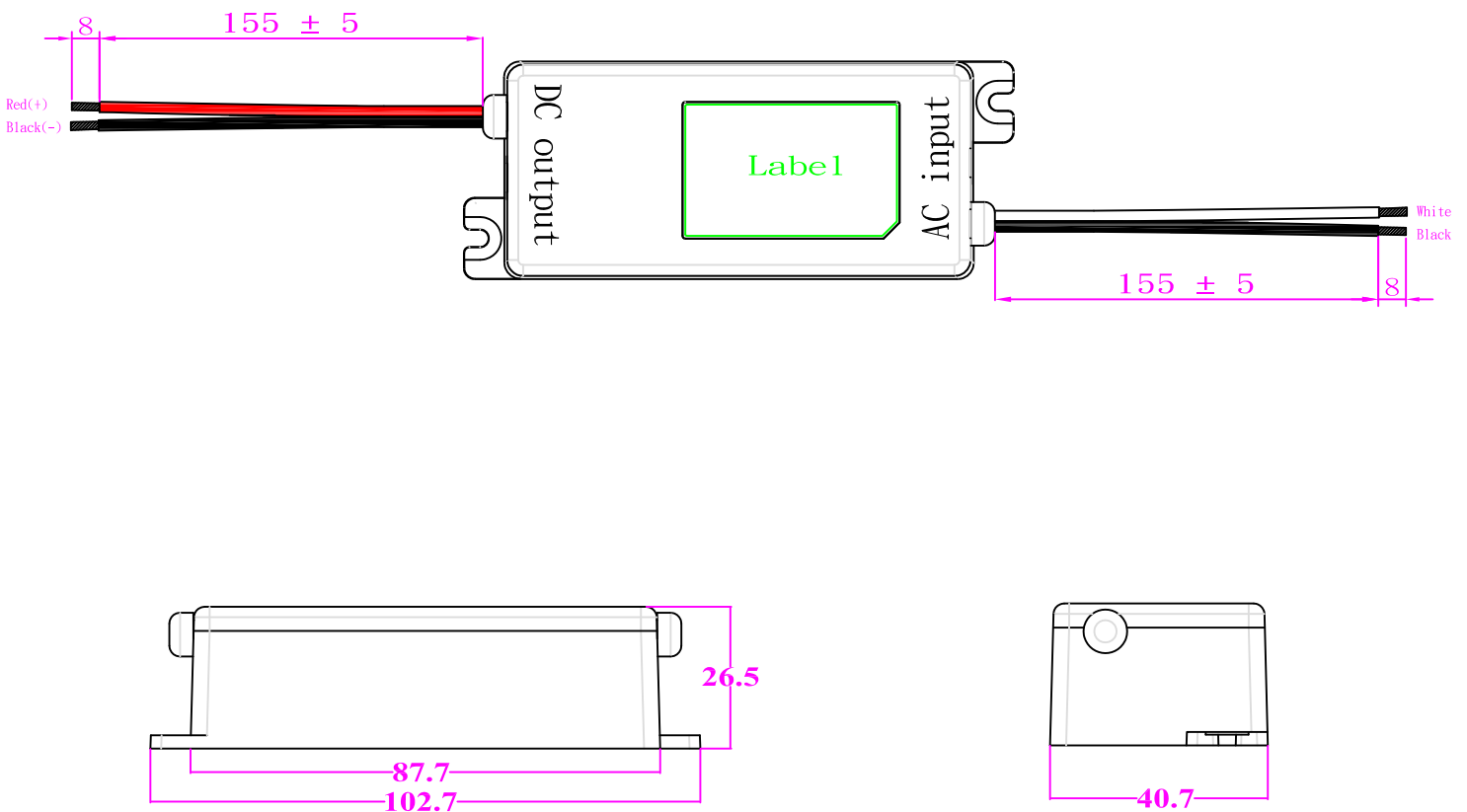
Plug : plus Stripped & Tinned

8.3 Cable Length : 1600mm

8.4 Case Dimension : 102.7mm(L)*40.7mm(W)*26.5mm(H)

8.5 Material Flammability : UL 94V-0 (PC)

8.6 External Apperance : As drawing below (Scale → mm)





8.7 Spec. Label Materials : Metalized Polyester Label (Silver Gloss)
 Color : Black Background with Silver Printing
 Label Dimension : 40mm(L) * 25mm(W)+/-0.1mm

100%



"XXX"

Label supplier's code.
 It is accurate that the number of words depends on the real finished product.

ID NO."X"

Manufacturer's code.
 It is accurate that the number of words depends on the real finished product.

300%



D/C:0917
 MADE IN CHINA
ID NO. X
XXX

Label Part No. :